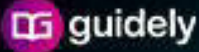


Square Seating arrangement for Bank Exam – Question Bank Set 1 (Eng)



ONE GOAL, ONE DREAM - MISSION SELECTION 2024

PREMIUM BUNDLE PDF COURSE 2024

Highlighting Segments

- Beginners Bundle Quiz Course
- Topic-Wise Bundle Course
- Exam-Wise Bundle PDF Course
- Section-Wise Bundle PDF Course
- Memory Based Questions Bundle Course
- Prelims Scoring Part Bundle Course
- Mains Booster Bundle Course
- Critical Reasoning Bundle Course
- Mains Two Mark Questions Bundle Course
- Daily Editorial Based English Questions PDF
- Special Quants Arithmetic Bundle Course
- Special DI & Caselet Bundle Course
- Special Puzzles & Seating Bundle Course
- 101 Version 2.0 New Pattern Puzzles & DI Questions
- Current Affairs Bundle PDF Course
- Static Banking & Static GK Bundle Course
- Computer Awareness Bundle Course

***Special Offer For PRIME Users**

One Time Offer Ends Soon - Hurry!!!

GRAB IT NOW

[Click Here For Bundle PDF Course](#)

[Click Here to Subscribe Our Yearly Mock Test Package](#)

Square Seating arrangement for Bank Exam – Question Bank Set 1 (Eng)

Directions (1-5): Study the following information carefully and answer the below questions.

Eight persons- L, M, N, O, P, Q, R, and S are sitting at the square table. Four of them are sitting at the corner of the table facing the center and four of them are sitting at the middle of each side of the table facing outside. All the information is not necessarily in the same order. The consecutive alphabetically named persons are not sitting adjacent to each other.

L sits third to the right of the one who sits opposite to O. One person sits between O and S. S sits at the middle of the table. N sits immediate right of Q, vice versa. N doesn't sit at the corner. One person sits between Q and P. The number of persons sits between R and M is the same as between M and L.

1) Who among the following person sits third to the left of the one who sits immediate right of S?

- A. R
- B. The one who sits second to the left of L
- C. P
- D. The one who sits immediate right of M
- E. N

2) Four of the following five are alike in a certain way thus forms a group.

Find the odd one which does not belong to the group?

- A. NM
- B. OS
- C. RQ

D. NO

E. LO

3) Who among the following person sits opposite to O?

- A. The one who sits immediate right of P
- B. The one who sits second to the right of S
- C. N
- D. R
- E. Q

4) Who among the following person is facing the same direction as N?

- A. Q
- B. The one who sits immediate right of S
- C. The one who sits second to the left of L
- D. R
- E. The one who sits immediate left of P

5) Which of the following statement is/are true?

- A. Q is the immediate neighbor of P
- B. Three persons are sitting between O and R
- C. L sits opposite to N
- D. N sits immediate left of R
- E. None of these

Directions (6-10): Study the following information carefully and answer the below questions.

Eight people P, Q, R, S, T, U, V and W are sitting around the square table. Four persons sit at the corner and facing inside while four persons sit in

Square Seating arrangement for Bank Exam – Question Bank Set 1 (Eng)

the middle of the sides and facing outside the table.

P sits third to the left of the person who sits opposite to U. V sits second to the left of U. Q faces the person who sits third to the left of W. T sits second to the right of W. S faces the person who sits second to the right of R, who does not face outward.

6) _____ sits third to the right of the person who faces R?

- A. T
- B. W
- C. S
- D. V
- E. None of these

7) Who sits second to the left of the person who sits opposite to V?

- A. Person who sits third to the right of R
- B. Person who sits fourth to the left of Q
- C. Person who sits second to the right of T
- D. Person who sits sixth to the right of W
- E. None of these

8) Which of the following statement is/are true with respect to S?

- I. Three persons sit between S and Q
- II. T sits third to the left of S

III. P sits second to the right of the person who faces S

- A. Only I
- B. Only III
- C. Both I and III
- D. All I, II and III
- E. None of these

9) Four of the following five are alike in a certain way and hence form the group. Which is the one that does not belong to the group?

- A. Person who sits second to the right of T
- B. U
- C. Person who sits Fourth to the left of W
- D. P
- E. Person who sits opposite to U

10) In which of the following statement the first person sits exactly between the second and the third person in the following arrangement?

- I. QVU
- II. RWS
- III. PTV
- A. Only I
- B. Only III
- C. Only I and II
- D. All I, II and III
- E. None of these

ANSWER WITH EXPLANATION

Directions (1-5):

1) Answer: E

Square Seating arrangement for Bank Exam – Question Bank Set 1 (Eng)

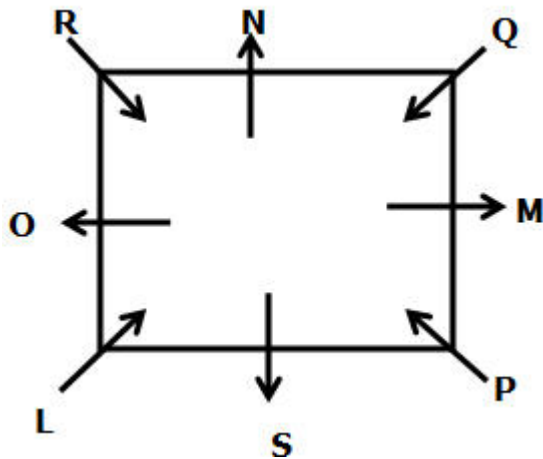
2) Answer: E

3) Answer: A

4) Answer: E

5) Answer: D

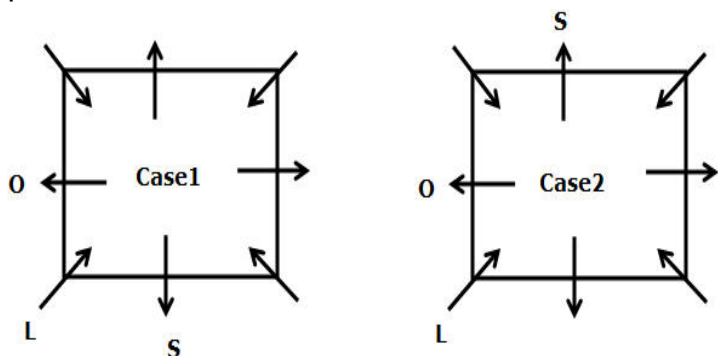
Final Arrangement



We have,

- L sits third to the right of the one who sits opposite to O.
- One person sits between O and S.
- S sits at the middle of the table.

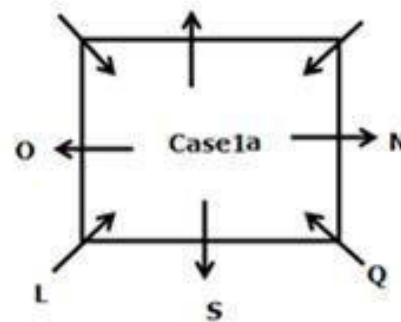
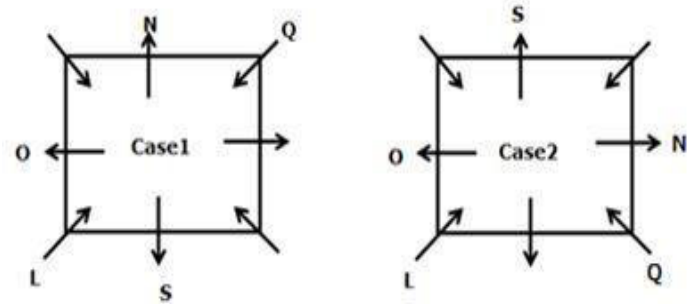
From the above condition, there are two possibilities.



Again we have,

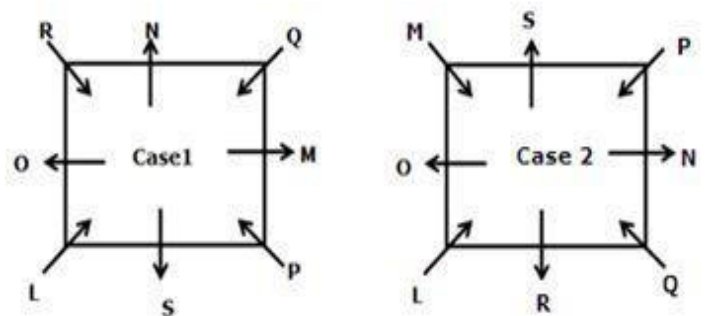
- N sits immediate right of Q, vice versa. N doesn't sit at the corner.

From the above condition, there are three possibilities.

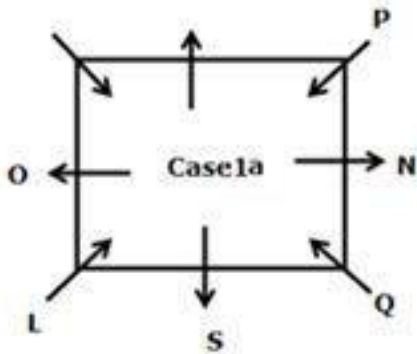


Again we have,

- One person sits between Q and P.
- The consecutive alphabetically named persons are not sitting adjacent to each other.



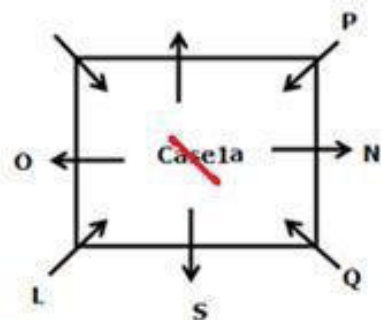
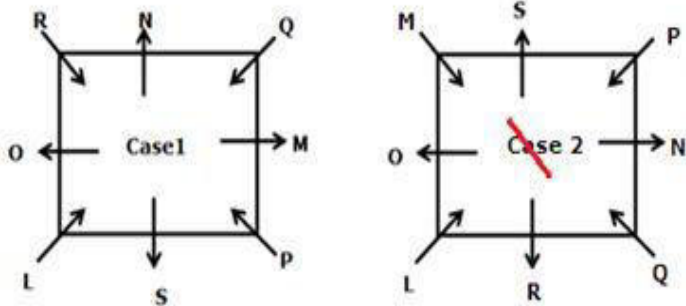
Square Seating arrangement for Bank Exam – Question Bank Set 1 (Eng)



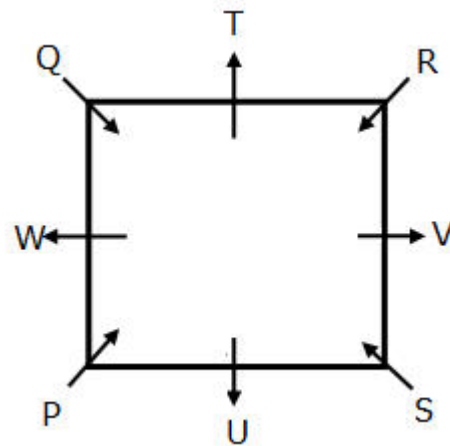
Again we have,

- The number of persons sits between R and M is the same as between M and L.

From the above condition, Case2 and case1a get eliminated. Case1 shows the final arrangement.



Directions (6-10):



6) Answer: D

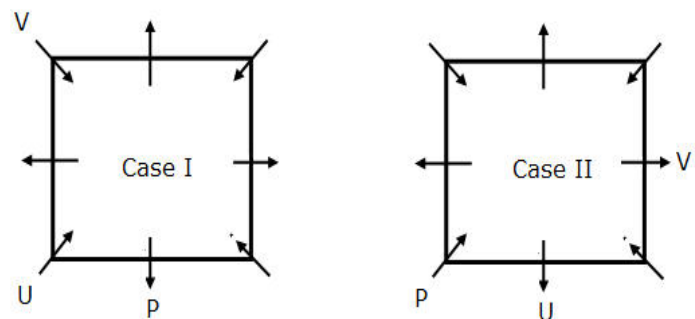
7) Answer: D

8) Answer: C

9) Answer: D

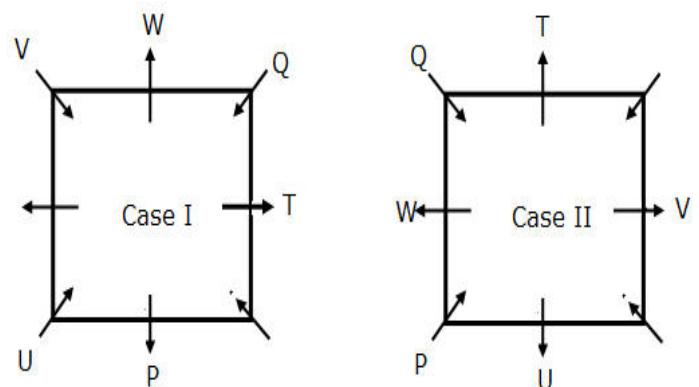
10) Answer: E

P sits third to the left of the person who sits opposite to U. V sits second to the left of U.



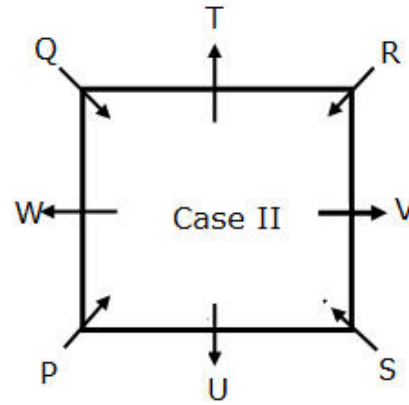
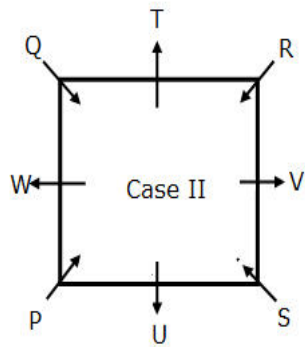
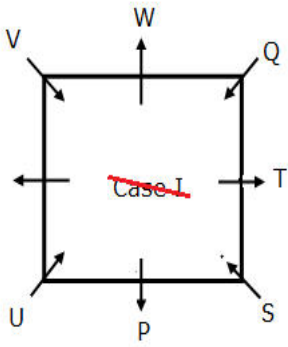
Q faces the person who sits third to the left of W.

T sits second to the right of W.



Square Seating arrangement for Bank Exam – Question Bank Set 1 (Eng)

S faces the person who sits second to the right of R, who does not face outward. case-I is eliminated.



[Click Here For Bank Exam Free PDF](#)

[Click Here For Reasoning Free PDF](#)

[Click Here For Quantitative Aptitude Free PDF](#)

[Click Here For English Free PDF](#)